

HCA

ELECTRIC INPUT FOR FANS



length	input power
900	4,5 W
1000	5 W
1250	8 W
1500	9 W
1750	11 W
2000	12,5 W
2250	14 W
2500	16 W
2750	18 W
3000	18 W



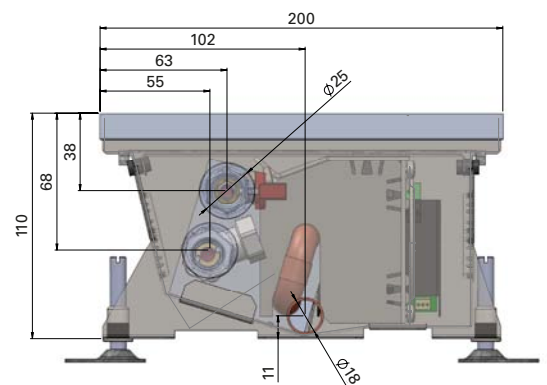
Narrow, very powerful single-circuit floor convector with a fan for heating and cooling.

CHARACTERISTICS

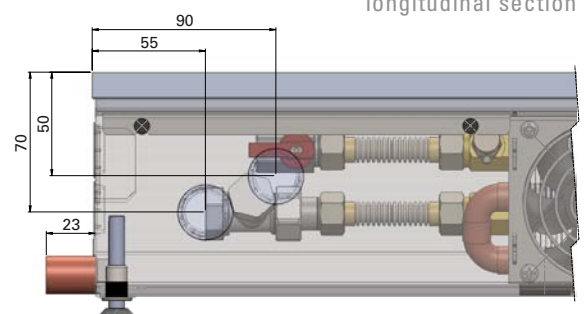
- single-circuit connection
- high heating output of the forced convection
- heating unit with short response time
- heating also when the fan is off
- easy operation
- designed also for cooling

DIMENSIONS

width	200 mm
design height	110 mm
length	900 to 3000 mm
connection	G ^{3/8} "



cross section



longitudinal section

